

# **Component-Level Information Packet for 08590-60365**

## **Processor/Video**



HP Part No. 08590-90256  
Printed in USA May 1997

**HP Part Number 08590-60365  
Processor/Video**

Reference Designator	HP Part Number	Qty	Description	Mfr Code	Mfr Part Number
C1	0160-4835	1	CAP-FXD 0.1uF +-10% 50 V CER X7R	28480	0160-4835
C2	0160-4835	1	CAP-FXD 0.1uF +-10% 50 V CER X7R	28480	0160-4835
C5	0160-4835	1	CAP-FXD 0.1uF +-10% 50 V CER X7R	28480	0160-4835
C6	0160-4835	1	CAP-FXD 0.1uF +-10% 50 V CER X7R	28480	0160-4835
C10	0160-4835	1	CAP-FXD 0.1uF +-10% 50 V CER X7R	28480	0160-4835
C12	0160-4832	1	CAP-FXD 0.01uF +-10% 100 V CER X7R	28480	0160-4832
C13	0160-4832	1	CAP-FXD 0.01uF +-10% 100 V CER X7R	28480	0160-4832
C16	0160-4835	1	CAP-FXD 0.1uF +-10% 50 V CER X7R	28480	0160-4835
C17	0160-4832	1	CAP-FXD 0.01uF +-10% 100 V CER X7R	28480	0160-4832
C20	0160-4832	1	CAP-FXD 0.01uF +-10% 100 V CER X7R	28480	0160-4832
C22	0160-4832	1	CAP-FXD 0.01uF +-10% 100 V CER X7R	28480	0160-4832
C23	0180-3769	1	CAP-FXD 6.8uF +-10% 35 V TA	28480	0180-3769
C24	0160-6588	1	CAP-FXD 0.033uF +-10% 100 V CER X7R	28480	0160-6588
C25	0160-5099	1	CAP-FXD 3300pF +-5% 100 V CER C0G	28480	0160-5099
C26	0160-4835	1	CAP-FXD 0.1uF +-10% 50 V CER X7R	28480	0160-4835
C27	0160-4832	1	CAP-FXD 0.01uF +-10% 100 V CER X7R	28480	0160-4832
C28	0160-4574	1	CAP-FXD 1000pF +-10% 100 V CER X7R	28480	0160-4574
C29	0160-4832	1	CAP-FXD 0.01uF +-10% 100 V CER X7R	28480	0160-4832
C30	0160-4832	1	CAP-FXD 0.01uF +-10% 100 V CER X7R	28480	0160-4832
C31	0160-4832	1	CAP-FXD 0.01uF +-10% 100 V CER X7R	28480	0160-4832
C32	0160-4832	1	CAP-FXD 0.01uF +-10% 100 V CER X7R	28480	0160-4832
C33	0160-4807	1	CAP-FXD 33pF +-5% 100 V CER C0G	28480	0160-4807
C34	0160-4832	1	CAP-FXD 0.01uF +-10% 100 V CER X7R	28480	0160-4832
C35	0160-4832	1	CAP-FXD 0.01uF +-10% 100 V CER X7R	28480	0160-4832
C36	0160-4832	1	CAP-FXD 0.01uF +-10% 100 V CER X7R	28480	0160-4832
C37	0160-4832	1	CAP-FXD 0.01uF +-10% 100 V CER X7R	28480	0160-4832
C38	0160-4835	1	CAP-FXD 0.1uF +-10% 50 V CER X7R	28480	0160-4835
C39	0180-3769	1	CAP-FXD 6.8uF +-10% 35 V TA	28480	0180-3769
C40	0180-3769	1	CAP-FXD 6.8uF +-10% 35 V TA	28480	0180-3769
C41	0160-4832	1	CAP-FXD 0.01uF +-10% 100 V CER X7R	28480	0160-4832
C43	0160-4832	1	CAP-FXD 0.01uF +-10% 100 V CER X7R	28480	0160-4832
C44	0160-4835	1	CAP-FXD 0.1uF +-10% 50 V CER X7R	28480	0160-4835
C46	0160-4574	1	CAP-FXD 1000pF +-10% 100 V CER X7R	28480	0160-4574
C47	0160-4682	1	CAP-FXD 1000pF +-2.5% 160 V POLYP-FL	28480	0160-4682
C48	0160-4832	1	CAP-FXD 0.01uF +-10% 100 V CER X7R	28480	0160-4832

*\*Indicates factory-selected value*

**HP Part Number 08590-60365  
Processor/Video (continued)**

Reference Designator	HP Part Number	Qty	Description	Mfr Code	Mfr Part Number
C50	0160-4832	1	CAP-FXD 0.01uF +-10% 100 V CER X7R	28480	0160-4832
C51	0160-4832	1	CAP-FXD 0.01uF +-10% 100 V CER X7R	28480	0160-4832
C52	0160-4832	1	CAP-FXD 0.01uF +-10% 100 V CER X7R	28480	0160-4832
C54	0160-4832	1	CAP-FXD 0.01uF +-10% 100 V CER X7R	28480	0160-4832
C55	0160-4832	1	CAP-FXD 0.01uF +-10% 100 V CER X7R	28480	0160-4832
C56	0160-4832	1	CAP-FXD 0.01uF +-10% 100 V CER X7R	28480	0160-4832
C57	0180-3769	1	CAP-FXD 6.8uF +-10% 35 V TA	28480	0180-3769
C58	0160-4832	1	CAP-FXD 0.01uF +-10% 100 V CER X7R	28480	0160-4832
C59	0160-4832	1	CAP-FXD 0.01uF +-10% 100 V CER X7R	28480	0160-4832
C60	0180-3769	1	CAP-FXD 6.8uF +-10% 35 V TA	28480	0180-3769
C61	0180-3769	1	CAP-FXD 6.8uF +-10% 35 V TA	28480	0180-3769
C62	0160-4832	1	CAP-FXD 0.01uF +-10% 100 V CER X7R	28480	0160-4832
C63	0160-4832	1	CAP-FXD 0.01uF +-10% 100 V CER X7R	28480	0160-4832
C64	0160-4832	1	CAP-FXD 0.01uF +-10% 100 V CER X7R	28480	0160-4832
C65	0160-4832	1	CAP-FXD 0.01uF +-10% 100 V CER X7R	28480	0160-4832
C66	0160-4832	1	CAP-FXD 0.01uF +-10% 100 V CER X7R	28480	0160-4832
C67	0160-4832	1	CAP-FXD 0.01uF +-10% 100 V CER X7R	28480	0160-4832
C102	0160-4832	1	CAP-FXD 0.01uF +-10% 100 V CER X7R	28480	0160-4832
C103	0160-4832	1	CAP-FXD 0.01uF +-10% 100 V CER X7R	28480	0160-4832
C104	0160-4835	1	CAP-FXD 0.1uF +-10% 50 V CER X7R	28480	0160-4835
C105	0160-4832	1	CAP-FXD 0.01uF +-10% 100 V CER X7R	28480	0160-4832
C107	0160-4832	1	CAP-FXD 0.01uF +-10% 100 V CER X7R	28480	0160-4832
C108	0160-4835	1	CAP-FXD 0.1uF +-10% 50 V CER X7R	28480	0160-4835
C109	0160-4835	1	CAP-FXD 0.1uF +-10% 50 V CER X7R	28480	0160-4835
C113	0160-4832	1	CAP-FXD 0.01uF +-10% 100 V CER X7R	28480	0160-4832
C114	0160-4832	1	CAP-FXD 0.01uF +-10% 100 V CER X7R	28480	0160-4832
C201	0160-4802	1	CAP-FXD 82pF +-5% 100 V CER C0G	28480	0160-4802
C203	0160-4832	1	CAP-FXD 0.01uF +-10% 100 V CER X7R	28480	0160-4832
C204	0160-4832	1	CAP-FXD 0.01uF +-10% 100 V CER X7R	28480	0160-4832
C205	0160-4801	1	CAP-FXD 100pF +-5% 100 V CER C0G	28480	0160-4801
C206	0160-4832	1	CAP-FXD 0.01uF +-10% 100 V CER X7R	28480	0160-4832
C207	0160-4832	1	CAP-FXD 0.01uF +-10% 100 V CER X7R	28480	0160-4832
C208	0160-4805	1	CAP-FXD 47pF +-5% 100 V CER C0G	28480	0160-4805
C209	0160-4832	1	CAP-FXD 0.01uF +-10% 100 V CER X7R	28480	0160-4832
C210	0160-4832	1	CAP-FXD 0.01uF +-10% 100 V CER X7R	28480	0160-4832

**HP Part Number 08590-60365  
Processor/Video (continued)**

Reference Designator	HP Part Number	Qty	Description	Mfr Code	Mfr Part Number
C301	0160-4835	1	CAP-FXD 0.1uF +-10% 50 V CER X7R	28480	0160-4835
C302	0160-4832	1	CAP-FXD 0.01uF +-10% 100 V CER X7R	28480	0160-4832
C303	0160-4832	1	CAP-FXD 0.01uF +-10% 100 V CER X7R	28480	0160-4832
C304	0160-4832	1	CAP-FXD 0.01uF +-10% 100 V CER X7R	28480	0160-4832
C305	0160-4835	1	CAP-FXD 0.1uF +-10% 50 V CER X7R	28480	0160-4835
C306	0160-4835	1	CAP-FXD 0.1uF +-10% 50 V CER X7R	28480	0160-4835
C307	0160-4835	1	CAP-FXD 0.1uF +-10% 50 V CER X7R	28480	0160-4835
C308	0160-4832	1	CAP-FXD 0.01uF +-10% 100 V CER X7R	28480	0160-4832
C309	0160-4832	1	CAP-FXD 0.01uF +-10% 100 V CER X7R	28480	0160-4832
C310	0160-4832	1	CAP-FXD 0.01uF +-10% 100 V CER X7R	28480	0160-4832
C311	0160-4805	1	CAP-FXD 47pF +-5% 100 V CER C0G	28480	0160-4805
C312	0160-4835	1	CAP-FXD 0.1uF +-10% 50 V CER X7R	28480	0160-4835
C313	0160-4832	1	CAP-FXD 0.01uF +-10% 100 V CER X7R	28480	0160-4832
C314	0160-4835	1	CAP-FXD 0.1uF +-10% 50 V CER X7R	28480	0160-4835
C315	0160-4835	1	CAP-FXD 0.1uF +-10% 50 V CER X7R	28480	0160-4835
C316	0160-4835	1	CAP-FXD 0.1uF +-10% 50 V CER X7R	28480	0160-4835
C317	0160-4835	1	CAP-FXD 0.1uF +-10% 50 V CER X7R	28480	0160-4835
C318	0180-4132	1	CAP-FXD 6.8uF +-10% 35 V TA	28480	0180-4132
C380	0160-4835	1	CAP-FXD 0.1uF +-10% 50 V CER X7R	28480	0160-4835
C401	0160-4386	1	CAP-FXD 33pF +-5% 200 V CER C0G	28480	0160-4386
C402	0160-4386	1	CAP-FXD 33pF +-5% 200 V CER C0G	28480	0160-4386
C403	0160-4386	1	CAP-FXD 33pF +-5% 200 V CER C0G	28480	0160-4386
C501	0160-4832	1	CAP-FXD 0.01uF +-10% 100 V CER X7R	28480	0160-4832
C502	0160-4832	1	CAP-FXD 0.01uF +-10% 100 V CER X7R	28480	0160-4832
C503	0160-4832	1	CAP-FXD 0.01uF +-10% 100 V CER X7R	28480	0160-4832
C504	0160-4832	1	CAP-FXD 0.01uF +-10% 100 V CER X7R	28480	0160-4832
C505	0160-4832	1	CAP-FXD 0.01uF +-10% 100 V CER X7R	28480	0160-4832
CR4	1901-0050	1	DIODE-SWITCHING 80V 200MA 2NS DO-35	02237	D3D2
CR5	1901-0050	1	DIODE-SWITCHING 80V 200MA 2NS DO-35	02237	D3D2
CR6	1901-0050	1	DIODE-SWITCHING 80V 200MA 2NS DO-35	02237	D3D2
CR7	1901-0539	1	DIODE-SCHOTTKY SM SIG	28480	1901-0539
CR8	1901-1131	1	DIODE-SCHOTTKY SM SIG	28480	1901-1131
CR101	1901-0050	1	DIODE-SWITCHING 80V 200MA 2NS DO-35	02237	D3D2
CR102	1901-0050	1	DIODE-SWITCHING 80V 200MA 2NS DO-35	02237	D3D2
CR103	1901-0050	1	DIODE-SWITCHING 80V 200MA 2NS DO-35	02237	D3D2

*\*Indicates factory-selected value*

**HP Part Number 08590-60365  
Processor/Video (continued)**

Reference Designator	HP Part Number	Qty	Description	Mfr Code	Mfr Part Number
CR104	1901-0050	1	DIODE-SWITCHING 80V 200MA 2NS DO-35	02237	D3D2
CR105	1901-0050	1	DIODE-SWITCHING 80V 200MA 2NS DO-35	02237	D3D2
CR106	1901-0050	1	DIODE-SWITCHING 80V 200MA 2NS DO-35	02237	D3D2
CR107	1901-0050	1	DIODE-SWITCHING 80V 200MA 2NS DO-35	02237	D3D2
CR108	1901-0050	1	DIODE-SWITCHING 80V 200MA 2NS DO-35	02237	D3D2
CR111	1901-0050	1	DIODE-SWITCHING 80V 200MA 2NS DO-35	02237	D3D2
CR112	1901-0050	1	DIODE-SWITCHING 80V 200MA 2NS DO-35	02237	D3D2
CR201	1901-0050	1	DIODE-SWITCHING 80V 200MA 2NS DO-35	02237	D3D2
CR202	1901-0050	1	DIODE-SWITCHING 80V 200MA 2NS DO-35	02237	D3D2
CR203	1901-0539	1	DIODE-SCHOTTKY SM SIG	28480	1901-0539
CR204	1901-0535	1	DIODE-SCHOTTKY SM SIG	28480	1901-0535
CR301	1901-0539	1	DIODE-SCHOTTKY SM SIG	28480	1901-0539
CR401	1901-0743	1	DIODE-PWR RECT 1N4004 400V 1A DO-41	28480	1901-0743
CR402	1901-0743	1	DIODE-PWR RECT 1N4004 400V 1A DO-41	28480	1901-0743
CR403	1901-0743	1	DIODE-PWR RECT 1N4004 400V 1A DO-41	28480	1901-0743
CR501	1901-1098	1	DIODE-SWITCHING 1N4150 50V 200MA 4NS	02237	1N4150
CR502	1901-1098	1	DIODE-SWITCHING 1N4150 50V 200MA 4NS	02237	1N4150
CR503	1901-1098	1	DIODE-SWITCHING 1N4150 50V 200MA 4NS	02237	1N4150
CR504	1901-1098	1	DIODE-SWITCHING 1N4150 50V 200MA 4NS	02237	1N4150
FB201	9100-1788	1	CORE-FERRITE CHOKE-WIDEBAND;IMP:>680	28480	9100-1788
FB301	9100-1788	1	CORE-FERRITE CHOKE-WIDEBAND;IMP:>680	28480	9100-1788
FB401	9100-1788	1	CORE-FERRITE CHOKE-WIDEBAND;IMP:>680	28480	9100-1788
FB402	9100-1788	1	CORE-FERRITE CHOKE-WIDEBAND;IMP:>680	28480	9100-1788
J1	1252-2907	1	CONN-POST TYPE .100-PIN-SPCG-MTG-END	28480	1252-2907
J2	1252-1284	1	CONN-POST TYPE .100-PIN-SPCG-MTG-END	28480	1252-1284
J4	1252-1470	1	CONN-POST TYPE .100-PIN-SPCG-MTG-END	28480	1252-1470
J5	1250-1846	1	CONNECTOR-RF BNC FEMALE PC-W-STDFS	28480	1250-1846
J6	1252-1327	1	CONN-RECT D-SUBMIN 9-CKT 9-CONT	28480	1252-1327
J7	1250-1846	1	CONNECTOR-RF BNC FEMALE PC-W-STDFS	28480	1250-1846
J8	1252-2162	1	CONN-POST TYPE .100-PIN-SPCG-MTG-END	28480	1252-2162
J9	1252-1882	1	CONN-POST TYPE .100-PIN-SPCG-MTG-END	28480	1252-1882
J10	1252-1065	1	CONN-POST TYPE .100-PIN-SPCG-MTG-END	28480	1252-1065
J500	1250-0257	1	CONNECTOR-RF SMB MALE PC-W-STDFS 50-OHM	28480	1250-0257
J501	1250-0257	1	CONNECTOR-RF SMB MALE PC-W-STDFS 50-OHM	28480	1250-0257
L1	9100-1631	1	INDUCTOR RF-CH-MLD 56uH +5%	28480	9100-1631

**HP Part Number 08590-60365  
Processor/Video (continued)**

Reference Designator	HP Part Number	Qty	Description	Mfr Code	Mfr Part Number
L201	9100-1631	1	INDUCTOR RF-CH-MLD 56uH +-5%	28480	9100-1631
L301	9140-0736	1	INDUCTOR 200uH .3W-INX.4LG-IN	28480	9140-0736
MP11	0515-0169	1	SCREW-MACHINE ASSEMBLY M3 X 0.5 10MM-LG	05610	
MP12	0515-0169	1	SCREW-MACHINE ASSEMBLY M3 X 0.5 10MM-LG	05610	
MP13	0535-0025	1	NUT-HEX DBL-CHAM M3 X 0.5 2.4MM-THK	06691	
MP14	0535-0025	1	NUT-HEX DBL-CHAM M3 X 0.5 2.4MM-THK	06691	
MP15	5021-9910	1	GSKT BC FS 31X15	28480	5021-9910
MP19	0361-1310	1	RIVET-BLIND PUSH-THRU MTG FLH 0DIA	01924	D30-0125-06
MP20	0361-1310	1	RIVET-BLIND PUSH-THRU MTG FLH 0DIA	01924	D30-0125-06
MP22	08590-40012	1	INS-PROCESSOR	28480	08590-40012
MP23	0380-4357	1	SPACER-SNP-IN .5-IN-LG .17-IN-OD NYL NAT	02201	MSPS-8-01
MP24	0380-4357	1	SPACER-SNP-IN .5-IN-LG .17-IN-OD NYL NAT	02201	MSPS-8-01
MP25	0380-4357	1	SPACER-SNP-IN .5-IN-LG .17-IN-OD NYL NAT	02201	MSPS-8-01
MP26	0380-4357	1	SPACER-SNP-IN .5-IN-LG .17-IN-OD NYL NAT	02201	MSPS-8-01
P12	1252-6260	1	CONN-RECT SCSI I 50-CKT 50-CONT	28480	1252-6260
Q3	1855-0420	1	TRANSISTOR J-FET 2N4391 N-CHAN D-MODE	02237	
Q4	1853-0007	1	TRANSISTOR PNP 2N3251 SI TO-18 PD=360MW	28480	1853-0007
Q5	1855-0420	1	TRANSISTOR J-FET 2N4391 N-CHAN D-MODE	02237	
Q6	1855-1002	1	TRANSISTOR J-FET 2N4416A N-CHAN D-MODE	28480	1855-1002
Q7	1855-0420	1	TRANSISTOR J-FET 2N4391 N-CHAN D-MODE	02237	
Q8	1855-0675	1	TRANSISTOR MOSFET N-CHAN E-MODE SI	28480	1855-0675
Q201	1854-0215	1	TRANSISTOR NPN SI TO-92 PD=625MW	02237	2N3904
Q301	1854-0215	1	TRANSISTOR NPN SI TO-92 PD=625MW	02237	2N3904
Q302	1854-0215	1	TRANSISTOR NPN SI TO-92 PD=625MW	02237	2N3904
Q303	1854-0477	1	TRANSISTOR NPN 2N2222A SI TO-18 PD=500MW	02237	2N2222A
R5	0698-7260	1	RESISTOR 10K +-1% .05W TF TC=0+-100	28480	0698-7260
R6	0698-7260	1	RESISTOR 10K +-1% .05W TF TC=0+-100	28480	0698-7260
R8	0698-7231	1	RESISTOR 619 +-1% .05W TF TC=0+-100	28480	0698-7231
R9	0698-7212	1	RESISTOR 100 +-1% .05W TF TC=0+-100	28480	0698-7212
R10	0698-7236	1	RESISTOR 1K +-1% .05W TF TC=0+-100	28480	0698-7236
R11	0698-7236	1	RESISTOR 1K +-1% .05W TF TC=0+-100	28480	0698-7236
R19	0698-7260	1	RESISTOR 10K +-1% .05W TF TC=0+-100	28480	0698-7260
R20	0698-7260	1	RESISTOR 10K +-1% .05W TF TC=0+-100	28480	0698-7260
R21	0698-7260	1	RESISTOR 10K +-1% .05W TF TC=0+-100	28480	0698-7260
R23	0698-7196	1	RESISTOR 21.5 +-1% .05W TF TC=0+-100	28480	0698-7196

*\*Indicates factory-selected value*

**HP Part Number 08590-60365  
Processor/Video (continued)**

Reference Designator	HP Part Number	Qty	Description	Mfr Code	Mfr Part Number
R27	0698-7248	1	RESISTOR 3.16K +-1% .05W TF TC=0+-100	28480	0698-7248
R28	0698-7214	1	RESISTOR 121 +-1% .05W TF TC=0+-100	28480	0698-7214
R29	0698-7284	1	RESISTOR 100K +-1% .05W TF TC=0+-100	28480	0698-7284
R30	0698-7277	1	RESISTOR 51.1K +-1% .05W TF TC=0+-100	28480	0698-7277
R31	0698-7225	1	RESISTOR 348 +-1% .05W TF TC=0+-100	28480	0698-7225
R32	0698-7258	1	RESISTOR 8.25K +-1% .05W TF TC=0+-100	28480	0698-7258
R33	0698-7255	1	RESISTOR 6.19K +-1% .05W TF TC=0+-100	28480	0698-7255
R34	0698-7248	1	RESISTOR 3.16K +-1% .05W TF TC=0+-100	28480	0698-7248
R35	0698-7220	1	RESISTOR 215 +-1% .05W TF TC=0+-100	28480	0698-7220
R36	0698-7212	1	RESISTOR 100 +-1% .05W TF TC=0+-100	28480	0698-7212
R37	0698-6320	1	RESISTOR 5K +-0.1% .125W TF TC=0+-25	28480	0698-6320
R38	0698-7260	1	RESISTOR 10K +-1% .05W TF TC=0+-100	28480	0698-7260
R39	0698-7247	1	RESISTOR 2.87K +-1% .05W TF TC=0+-100	28480	0698-7247
R40	0698-7221	1	RESISTOR 237 +-1% .05W TF TC=0+-100	28480	0698-7221
R41	0698-6317	1	RESISTOR 500 +-0.1% .125W TF TC=0+-25	28480	0698-6317
R42	0698-6317	1	RESISTOR 500 +-0.1% .125W TF TC=0+-25	28480	0698-6317
R43	0698-6362	1	RESISTOR 1K +-0.1% .125W TF TC=0+-25	28480	0698-6362
R44	0698-6317	1	RESISTOR 500 +-0.1% .125W TF TC=0+-25	28480	0698-6317
R45	0698-7202	1	RESISTOR 38.3 +-1% .05W TF TC=0+-100	28480	0698-7202
R46	0698-7202	1	RESISTOR 38.3 +-1% .05W TF TC=0+-100	28480	0698-7202
R47	0698-7218	1	RESISTOR 178 +-1% .05W TF TC=0+-100	28480	0698-7218
R48	0698-7236	1	RESISTOR 1K +-1% .05W TF TC=0+-100	28480	0698-7236
R49	0698-7250	1	RESISTOR 3.83K +-1% .05W TF TC=0+-100	28480	0698-7250
R51	0698-7277	1	RESISTOR 51.1K +-1% .05W TF TC=0+-100	28480	0698-7277
R52	0698-6362	1	RESISTOR 1K +-0.1% .125W TF TC=0+-25	28480	0698-6362
R53	0698-6347	1	RESISTOR 1.5K +-0.1% .125W TF TC=0+-25	28480	0698-6347
R54	0698-7284	1	RESISTOR 100K +-1% .05W TF TC=0+-100	28480	0698-7284
R55	0698-7212	1	RESISTOR 100 +-1% .05W TF TC=0+-100	28480	0698-7212
R56	0698-7248	1	RESISTOR 3.16K +-1% .05W TF TC=0+-100	28480	0698-7248
R57	0698-7248	1	RESISTOR 3.16K +-1% .05W TF TC=0+-100	28480	0698-7248
R58	0698-7248	1	RESISTOR 3.16K +-1% .05W TF TC=0+-100	28480	0698-7248
R60	0698-7260	1	RESISTOR 10K +-1% .05W TF TC=0+-100	28480	0698-7260
R61	0698-7284	1	RESISTOR 100K +-1% .05W TF TC=0+-100	28480	0698-7284
R62	0698-7277	1	RESISTOR 51.1K +-1% .05W TF TC=0+-100	28480	0698-7277
R63	0698-7284	1	RESISTOR 100K +-1% .05W TF TC=0+-100	28480	0698-7284

**HP Part Number 08590-60365  
Processor/Video (continued)**

Reference Designator	HP Part Number	Qty	Description	Mfr Code	Mfr Part Number
R64	0698-6317	1	RESISTOR 500 +0.1% .125W TF TC=0+-25	28480	0698-6317
R65	0698-6360	1	RESISTOR 10K +-0.1% .125W TF TC=0+-25	28480	0698-6360
R66	0698-7205	1	RESISTOR 51.1 +-1% .05W TF TC=0+-100	28480	0698-7205
R67	0698-6631	1	RESISTOR 2.5K +-0.1% .125W TF TC=0+-25	28480	0698-6631
R68	0698-6360	1	RESISTOR 10K +-0.1% .125W TF TC=0+-25	28480	0698-6360
R69	0698-7205	1	RESISTOR 51.1 +-1% .05W TF TC=0+-100	28480	0698-7205
R70	0698-7260	1	RESISTOR 10K +-1% .05W TF TC=0+-100	28480	0698-7260
R71	0698-7260	1	RESISTOR 10K +-1% .05W TF TC=0+-100	28480	0698-7260
R72	0698-7221	1	RESISTOR 237 +-1% .05W TF TC=0+-100	28480	0698-7221
R78	0698-7260	1	RESISTOR 10K +-1% .05W TF TC=0+-100	28480	0698-7260
R101	0698-7260	1	RESISTOR 10K +-1% .05W TF TC=0+-100	28480	0698-7260
R102	0698-7260	1	RESISTOR 10K +-1% .05W TF TC=0+-100	28480	0698-7260
R105	0698-7245	1	RESISTOR 2.37K +-1% .05W TF TC=0+-100	28480	0698-7245
R106	0698-7260	1	RESISTOR 10K +-1% .05W TF TC=0+-100	28480	0698-7260
R107	0698-7260	1	RESISTOR 10K +-1% .05W TF TC=0+-100	28480	0698-7260
R108	0698-7260	1	RESISTOR 10K +-1% .05W TF TC=0+-100	28480	0698-7260
R109	0698-7260	1	RESISTOR 10K +-1% .05W TF TC=0+-100	28480	0698-7260
R110	0698-7260	1	RESISTOR 10K +-1% .05W TF TC=0+-100	28480	0698-7260
R111	0698-7236	1	RESISTOR 1K +-1% .05W TF TC=0+-100	28480	0698-7236
R201	0698-7188	1	RESISTOR 10 +-1% .05W TF TC=0+-100	28480	0698-7188
R202	0698-7212	1	RESISTOR 100 +-1% .05W TF TC=0+-100	28480	0698-7212
R203	0698-7253	1	RESISTOR 5.11K +-1% .05W TF TC=0+-100	28480	0698-7253
R204	0698-7260	1	RESISTOR 10K +-1% .05W TF TC=0+-100	28480	0698-7260
R205	0698-7243	1	RESISTOR 1.96K +-1% .05W TF TC=0+-100	28480	0698-7243
R206	0698-7253	1	RESISTOR 5.11K +-1% .05W TF TC=0+-100	28480	0698-7253
R207	0698-7260	1	RESISTOR 10K +-1% .05W TF TC=0+-100	28480	0698-7260
R208	0698-7253	1	RESISTOR 5.11K +-1% .05W TF TC=0+-100	28480	0698-7253
R209	0698-7277	1	RESISTOR 51.1K +-1% .05W TF TC=0+-100	28480	0698-7277
R210	0698-7277	1	RESISTOR 51.1K +-1% .05W TF TC=0+-100	28480	0698-7277
R211	0698-7233	1	RESISTOR 750 +-1% .05W TF TC=0+-100	28480	0698-7233
R212	0698-7247	1	RESISTOR 2.87K +-1% .05W TF TC=0+-100	28480	0698-7247
R213	0698-7233	1	RESISTOR 750 +-1% .05W TF TC=0+-100	28480	0698-7233
R214	0698-7263	1	RESISTOR 13.3K +-1% .05W TF TC=0+-100	28480	0698-7263
R215	0698-7236	1	RESISTOR 1K +-1% .05W TF TC=0+-100	28480	0698-7236
R301	0698-7243	1	RESISTOR 1.96K +-1% .05W TF TC=0+-100	28480	0698-7243

*\*Indicates factory-selected value*



**HP Part Number 08590-60365  
Processor/Video (continued)**

Reference Designator	HP Part Number	Qty	Description	Mfr Code	Mfr Part Number
R302	0698-7212	1	RESISTOR 100 +-1% .05W TF TC=0+-100	28480	0698-7212
R303	0698-7221	1	RESISTOR 237 +-1% .05W TF TC=0+-100	28480	0698-7221
R304	0698-7242	1	RESISTOR 1.78K +-1% .05W TF TC=0+-100	28480	0698-7242
R305	0698-7224	1	RESISTOR 316 +-1% .05W TF TC=0+-100	28480	0698-7224
R306	0698-7253	1	RESISTOR 5.11K +-1% .05W TF TC=0+-100	28480	0698-7253
R307	0698-7208	1	RESISTOR 68.1 +-1% .05W TF TC=0+-100	28480	0698-7208
R308	0698-7234	1	RESISTOR 825 +-1% .05W TF TC=0+-100	28480	0698-7234
R309	0698-7201	1	RESISTOR 34.8 +-1% .05W TF TC=0+-100	28480	0698-7201
R310	0757-0402	1	RESISTOR 110 +-1% .125W TF TC=0+-100	28480	0757-0402
R311	0698-7219	1	RESISTOR 196 +-1% .05W TF TC=0+-100	28480	0698-7219
R312	0698-7224	1	RESISTOR 316 +-1% .05W TF TC=0+-100	28480	0698-7224
R313	0698-7209	1	RESISTOR 75 +-1% .05W TF TC=0+-100	28480	0698-7209
R314	0698-7260	1	RESISTOR 10K +-1% .05W TF TC=0+-100	28480	0698-7260
R315	0698-7245	1	RESISTOR 2.37K +-1% .05W TF TC=0+-100	28480	0698-7245
R316	0698-7260	1	RESISTOR 10K +-1% .05W TF TC=0+-100	28480	0698-7260
R317	0698-7260	1	RESISTOR 10K +-1% .05W TF TC=0+-100	28480	0698-7260
R318	0698-7260	1	RESISTOR 10K +-1% .05W TF TC=0+-100	28480	0698-7260
R380	0698-3438	1	RESISTOR 147 +-1% .125W TF TC=0+-100	28480	0698-3438
R501	0698-7212	1	RESISTOR 100 +-1% .05W TF TC=0+-100	28480	0698-7212
R502	0698-7260	1	RESISTOR 10K +-1% .05W TF TC=0+-100	28480	0698-7260
R503	0698-7188	1	RESISTOR 10 +-1% .05W TF TC=0+-100	28480	0698-7188
R504	0698-7212	1	RESISTOR 100 +-1% .05W TF TC=0+-100	28480	0698-7212
R505	0698-7188	1	RESISTOR 10 +-1% .05W TF TC=0+-100	28480	0698-7188
TP1	1251-5596	1	CONN-POST TYPE .100-PIN-SPCG-MTG-END	28480	1251-5596
U2	1820-6218	1	IC TRANSCEIVER CMOS/HC BUS OCTL	28480	1820-6218
U3	1820-6218	1	IC TRANSCEIVER CMOS/HC BUS OCTL	28480	1820-6218
U6	08590-80244	1	EPROM-PRGM U6	28480	08590-80244
U7	08590-80245	1	EPROM-PRGM U7	28480	08590-80245
U9	1820-5655	1	IC GATE CMOS/AC OR QUAD 2-INP	02237	74AC32PC.
U10	1820-3097	1	IC GATE CMOS/HC AND QUAD 2-INP	28480	1820-3097
U11	1810-0286	1	NET-RES 15 10.0K OHM 16-DIP	28480	1810-0286
U12	1820-6245	1	IC-16-BIT MPU W/COUNTER, PLCC 16MHZ	28480	1820-6245
U13	1820-3173	1	IC FF CMOS/HC J-K NEG-EDGE-TRIG	28480	1820-3173
U16	1820-3183	1	IC GATE CMOS/HC NAND QUAD 2-INP	02237	MM74HC03N
U18	1820-2998	1	IC LCH CMOS/HC TRANSPARENT OCTL	28480	1820-2998

**HP Part Number 08590-60365  
Processor/Video (continued)**

Reference Designator	HP Part Number	Qty	Description	Mfr Code	Mfr Part Number
U19	1820-3789	1	IC FF CMOS/HC D-TYPE POS-EDGE-TRIG COM	28480	1820-3789
U20	1820-3789	1	IC FF CMOS/HC D-TYPE POS-EDGE-TRIG COM	28480	1820-3789
U23	08590-80246	1	EPROM-PRGM U23	28480	08590-80246
U24	08590-80247	1	EPROM-PRGM U24	28480	08590-80247
U25	1251-4787	1	SHUNT-DIP 8 POSITION; DUAL INLINE PKG	01380	435704-8
U26	1820-2689	1	IC GATE TTL/F NAND DUAL 4-INP	02237	74F20PC.
U32	1820-2922	1	IC GATE CMOS/HC NAND QUAD 2-INP	28480	1820-2922
U33	1858-0077	1	TRANSISTOR ARRAY 14-PIN PLSTC TO-116	02237	FPQ2222P
U34	1810-0037	1	NET-RES 8 1.0K OHM 16-DIP	28480	1810-0037
U35	1826-0759	1	IC COMPARATOR GP QUAD 14 PIN DIP-C	28480	1826-0759
U36	1820-3205	1	IC CNTR CMOS/HC BIN UP/DOWN SYNCHRO	28480	1820-3205
U37	1820-3081	1	IC FF CMOS/HC D-TYPE POS-EDGE-TRIG	28480	1820-3081
U38	1810-0206	1	NET-RES 7 10.0K OHM 8-SIP	28480	1810-0206
U39	1820-3664	1	IC GATE CMOS/HCT NAND QUAD 2-INP	28480	1820-3664
U40	1820-5108	1	IC PROGRAMMABLE INTERVAL TIMER 8MHZ CMOS	28480	1820-5108
U41	1820-3298	1	IC GATE CMOS/HC OR QUAD 2-INP	28480	1820-3298
U42	1820-3298	1	IC GATE CMOS/HC OR QUAD 2-INP	28480	1820-3298
U44	1858-0077	1	TRANSISTOR ARRAY 14-PIN PLSTC TO-116	02237	FPQ2222P
U45	1826-2137	1	IC OP AMP PRCN 8 PIN DIP-P	28480	1826-2137
U46	1826-1178	1	IC OP AMP HS DIP-C	28480	1826-1178
U47	1826-1522	1	A/D 12-DGT 28-CERDIP HYB	28480	1826-1522
U48	1810-0286	1	NET-RES 15 10.0K OHM 16-DIP	28480	1810-0286
U49	1820-3789	1	IC FF CMOS/HC D-TYPE POS-EDGE-TRIG COM	28480	1820-3789
U52	1820-3079	1	IC DCDR-DEMUXR CMOS/HC BIN 3-TO-8-LINE	28480	1820-3079
U53	1810-0286	1	NET-RES 15 10.0K OHM 16-DIP	28480	1810-0286
U54	1820-3297	1	IC DRVR CMOS/HC BUS OCTL	28480	1820-3297
U56	1820-4675	1	IC ENCDR CMOS/HC PRIORITY 8-TO-3-LINE	28480	1820-4675
U57	LTB1820-3832KD	1	IC68230G8 P16PIT	28480	LTB1820-3832KD
U58	1810-0205	1	NET-RES 7 4.7K OHM 8-SIP	28480	1810-0205
U60	1810-0203	1	NET-RES 7 470.0 OHM 8-SIP	28480	1810-0203
U61	1826-1939	1	IC OP AMP WB 8 PIN TO-99	28480	1826-1939
U62	1858-0032	1	TRANSISTOR ARRAY 14-PIN PLSTC DIP	28480	1858-0032
U63	1858-0077	1	TRANSISTOR ARRAY 14-PIN PLSTC TO-116	02237	FPQ2222P
U64	1826-0609	1	ANALOG MULTIPLEXER 8 CHNL 16 -CERDIP	28480	1826-0609
U65	1820-3789	1	IC FF CMOS/HC D-TYPE POS-EDGE-TRIG COM	28480	1820-3789

*\*Indicates factory-selected value*

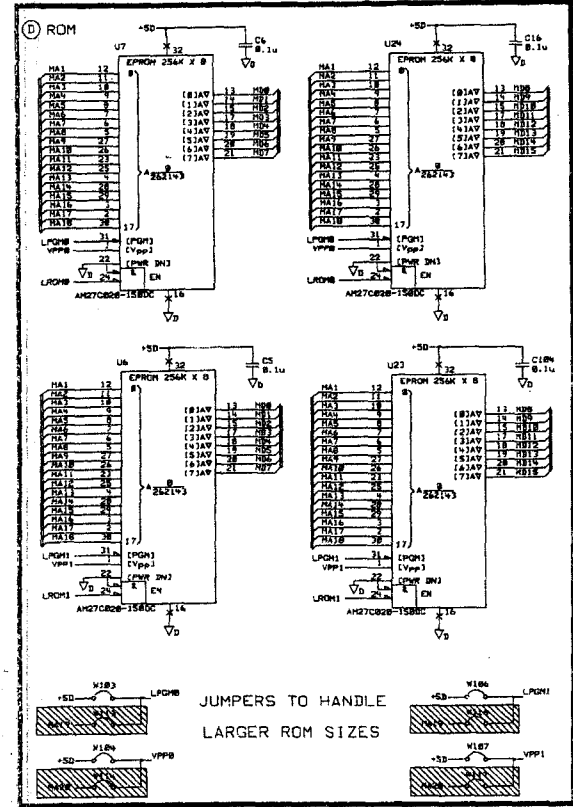
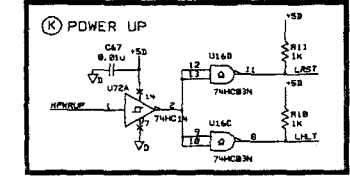
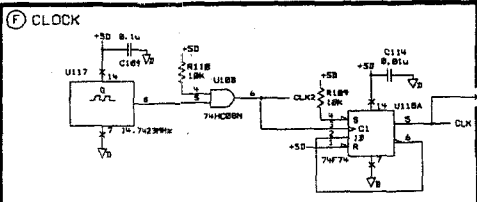
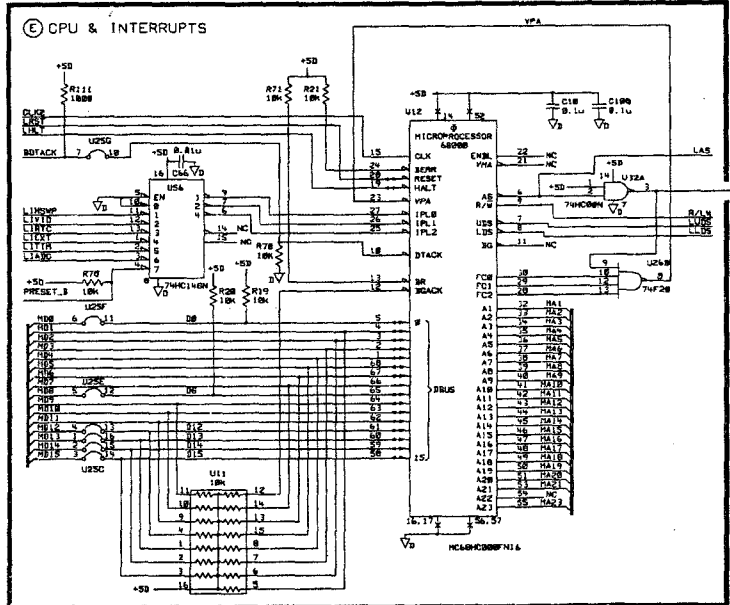
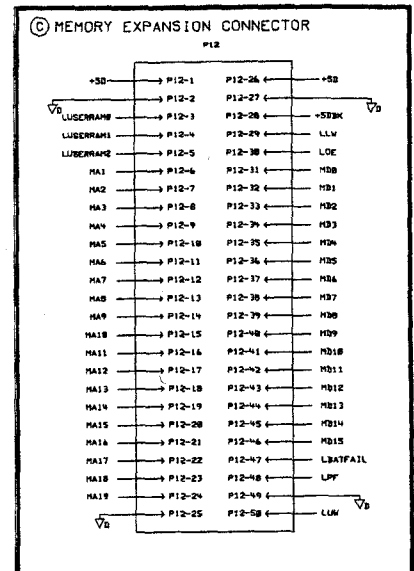
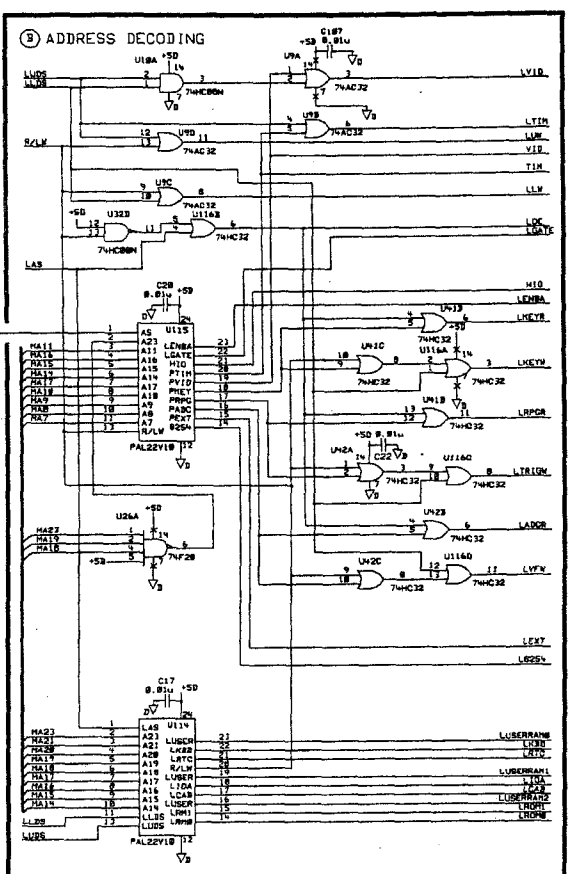
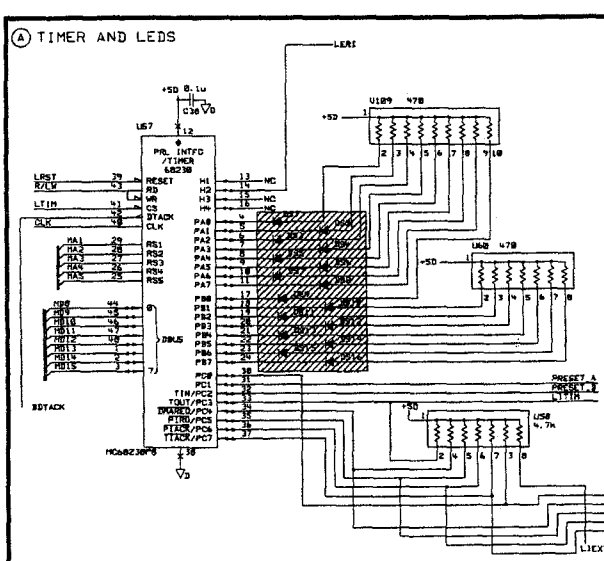
**HP Part Number 08590-60365  
Processor/Video (continued)**

Reference Designator	HP Part Number	Qty	Description	Mfr Code	Mfr Part Number
U66	1820-3789	1	IC FF CMOS/HC D-TYPE POS-EDGE-TRIG COM	28480	1820-3789
U68	1820-3297	1	IC DRVR CMOS/HC BUS OCTL	28480	1820-3297
U71	1820-3081	1	IC FF CMOS/HC D-TYPE POS-EDGE-TRIG	28480	1820-3081
U72	1820-3185	1	IC SCHMITT-TRIG CMOS/HC INV HEX	28480	1820-3185
U101	08590-80237	1	PAL-PRGM U101	28480	08590-80237
U102	1820-3174	1	IC SCHMITT-TRIG CMOS/HC NAND QUAD 2-INP	28480	1820-3174
U106	1820-5384	1	IC-INTERFACE CMOS -888-BIT	28480	1820-5384
U107	1810-0280	1	NET-RES 9 10.0K OHM 10-SIP	28480	1810-0280
U108	1820-3789	1	IC FF CMOS/HC D-TYPE POS-EDGE-TRIG COM	28480	1820-3789
U109	1810-0273	1	NET-RES 9 470.0 OHM 10-SIP	28480	1810-0273
U110	1810-0280	1	NET-RES 9 10.0K OHM 10-SIP	28480	1810-0280
U111	1820-3297	1	IC DRVR CMOS/HC BUS OCTL	28480	1820-3297
U113	1820-3183	1	IC GATE CMOS/HC NAND QUAD 2-INP	02237	MM74HC03N
U114	08590-80238	1	PAL-PRGM U114	28480	08590-80238
U115	08590-80239	1	PAL-PRGM U115	28480	08590-80239
U116	1820-3298	1	IC GATE CMOS/HC OR QUAD 2-INP	28480	1820-3298
U117	1813-0952	1	CLK-OSC-XTAL STD 14.7423-MHZ 0.0025%	28480	1813-0952
U118	1820-2691	1	IC FF TTL/F D-TYPE POS-EDGE-TRIG	02237	74F74PC.
U201	1826-0609	1	ANALOG MULTIPLEXER 8 CHNL 16 -CERDIP	28480	1826-0609
U202	1826-2137	1	IC OP AMP PRCN 8 PIN DIP-P	28480	1826-2137
U203	1826-0412	1	IC COMPARATOR PRCN DUAL 8 PIN DIP-P	28480	1826-0412
U301	LTB1820-6351KD	1	IC63484-8S ACRTC	28480	LTB1820-6351KD
U302	1820-2656	1	IC GATE TTL/ALS NAND QUAD 2-INP	28480	1820-2656
U303	1820-2102	1	IC LCH TTL/LS TRANSPARENT OCTL	28480	1820-2102
U304	1820-2102	1	IC LCH TTL/LS TRANSPARENT OCTL	28480	1820-2102
U305	1818-4017	1	IC 256K-BIT SRAM 100-NS CMOS	28480	1818-4017
U306	1818-4017	1	IC 256K-BIT SRAM 100-NS CMOS	28480	1818-4017
U307	1813-0870	1	CLK-OSC-XTAL STD 21.0-MHZ 0.05%	28480	1813-0870
U308	08590-80096	1	PAL-PRGM U308	28480	08590-80096
U309	1820-1922	1	IC SHF-RGTR TTL/LS SYNC/ASYNC	28480	1820-1922
U310	1820-1922	1	IC SHF-RGTR TTL/LS SYNC/ASYNC	28480	1820-1922
U311	1820-0535	1	IC-INTERFACE DRVR BIPOLAR AND DUAL	28480	1820-0535
U312	1820-0535	1	IC-INTERFACE DRVR BIPOLAR AND DUAL	28480	1820-0535
U401	1810-0301	1	NET-RES 8 51.0 OHM 16-DIP	28480	1810-0301
U402	1810-0301	1	NET-RES 8 51.0 OHM 16-DIP	28480	1810-0301

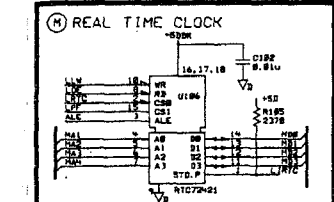
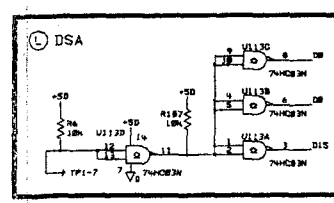
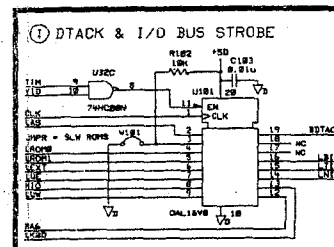
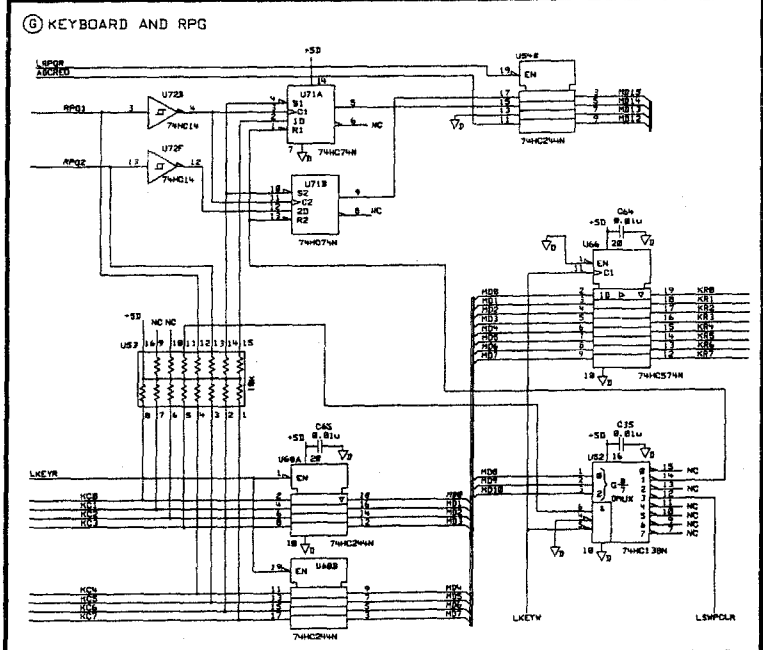
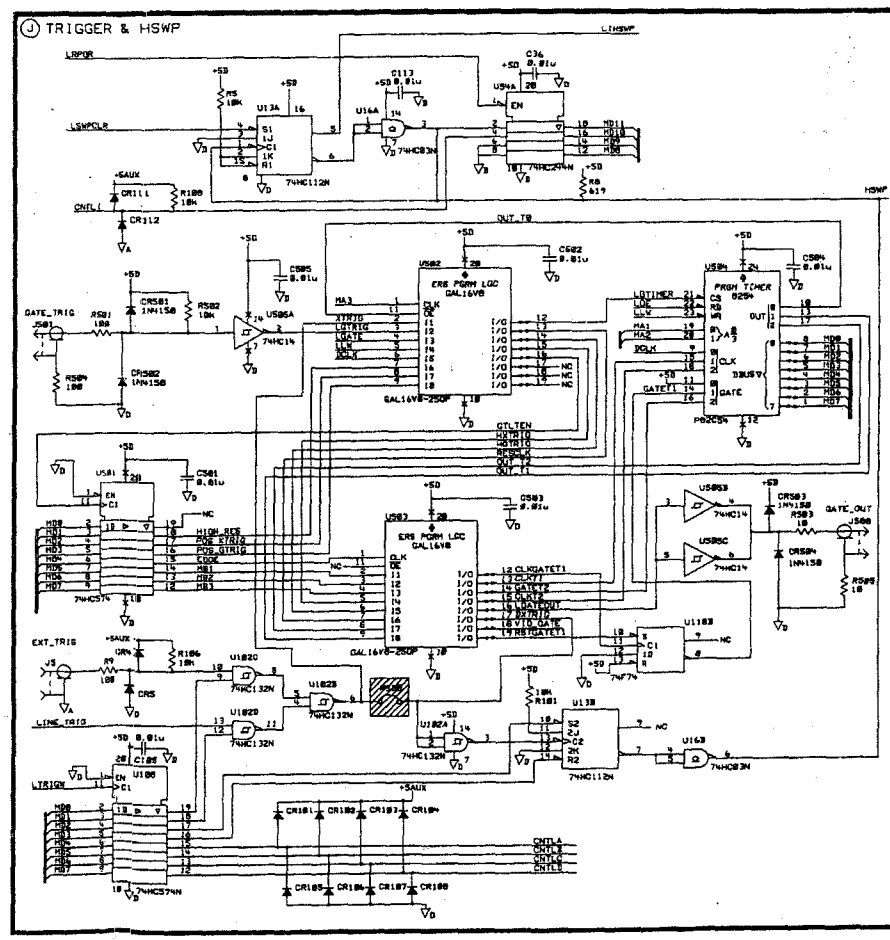
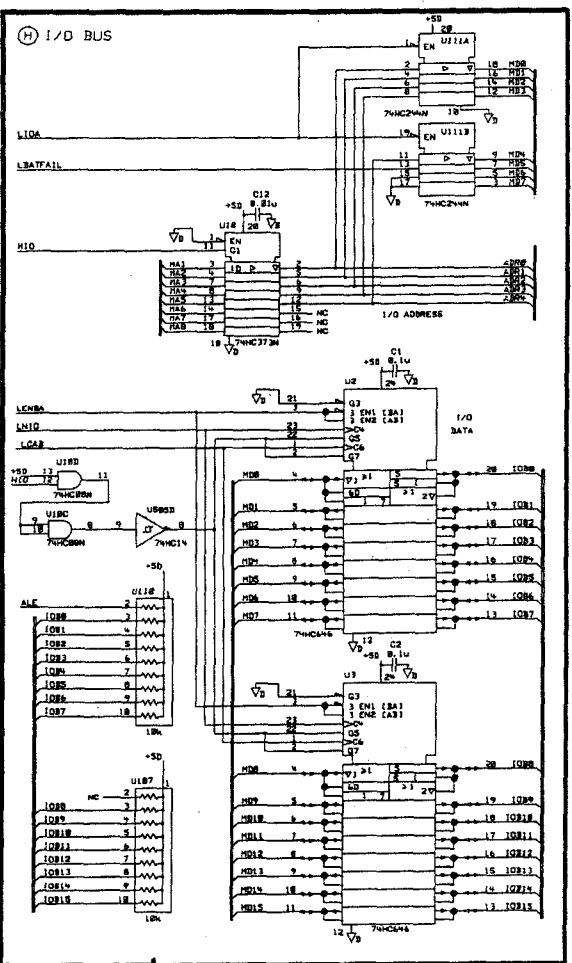
**HP Part Number 08590-60365  
Processor/Video (continued)**

Reference Designator	HP Part Number	Qty	Description	Mfr Code	Mfr Part Number
U403	1810-0301	1	NET-RES 8 51.0 OHM 16-DIP	28480	1810-0301
U404	1810-0301	1	NET-RES 8 51.0 OHM 16-DIP	28480	1810-0301
U405	1810-0301	1	NET-RES 8 51.0 OHM 16-DIP	28480	1810-0301
U406	1810-0301	1	NET-RES 8 51.0 OHM 16-DIP	28480	1810-0301
U501	1820-3789	1	IC FF CMOS/HC D-TYPE POS-EDGE-TRIG COM	28480	1820-3789
U502	08590-80180	1	PAL PRGM-U502	28480	08590-80180
U503	08590-80181	1	PAL PRGM-U503	28480	08590-80181
U504	1820-4669	1	IC-PROGRAMMABLE INTERVAL TIMER - 8MHZ	28480	1820-4669
U505	1820-3185	1	IC SCHMITT-TRIG CMOS/HC INV HEX	28480	1820-3185
VR1	1902-0952	1	DIODE-ZNR 5.6V 5% DO-35 PD=.4W TC=+.046%	02037	SZ30035-10RL
VR301	1902-0949	1	DIODE-ZNR 4.3V 5% DO-35 PD=.4W TC=+.017%	02037	SZ30035-7
VR302	1902-0949	1	DIODE-ZNR 4.3V 5% DO-35 PD=.4W TC=+.017%	02037	SZ30035-7
W101	8159-0005	1	RESISTOR 0 CWM	28480	8159-0005
W103	8159-0005	1	RESISTOR 0 CWM	28480	8159-0005
W104	8159-0005	1	RESISTOR 0 CWM	28480	8159-0005
W106	8159-0005	1	RESISTOR 0 CWM	28480	8159-0005
W107	8159-0005	1	RESISTOR 0 CWM	28480	8159-0005

*\*Indicates factory-selected value*



NOTES:  
 1. REFERENCE DESIGNATORS WITHIN THIS ASSEMBLY USE ABBREVIATED PREFIX ABBREVIATION WITH ASSEMBLY NUMBER FOR COMPLETE REFERENCE DESIGNATOR.  
 2. UNLESS OTHERWISE INDICATED: RESISTANCE IN OHMS (Ω), CAPACITANCE IN MICROFARADS (μF), INDUCTANCE IN MICROHENRYS (μH).  
 3. PNEUMONIC TABLE



PNEUMONIC	1	2	3	4	SHEET
AD08G					AD AC
AD08M					AD AC
AD08S					AD AC
AD08T					AD AC
AD08U					AD AC
AD08V					AD AC
AD08W					AD AC
AD08X					AD AC
AD08Y					AD AC
AD08Z					AD AC
AD09					AD AC
AD10					AD AC
AD11					AD AC
AD12					AD AC
AD13					AD AC
AD14					AD AC
AD15					AD AC
AD16					AD AC
AD17					AD AC
AD18					AD AC
AD19					AD AC
AD20					AD AC
AD21					AD AC
AD22					AD AC
AD23					AD AC
AD24					AD AC
AD25					AD AC
AD26					AD AC
AD27					AD AC
AD28					AD AC
AD29					AD AC
AD30					AD AC

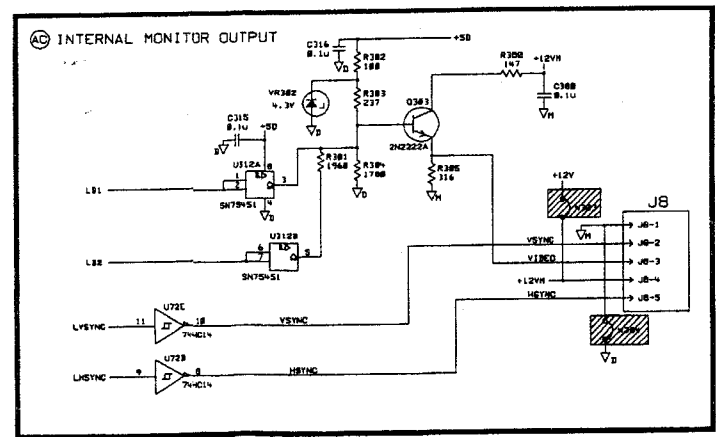
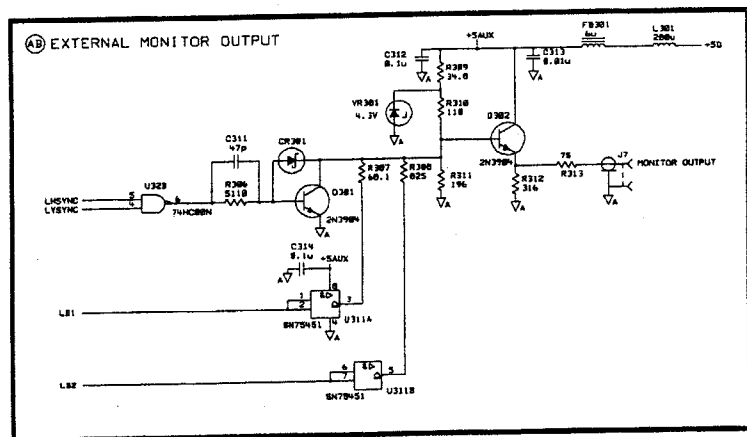
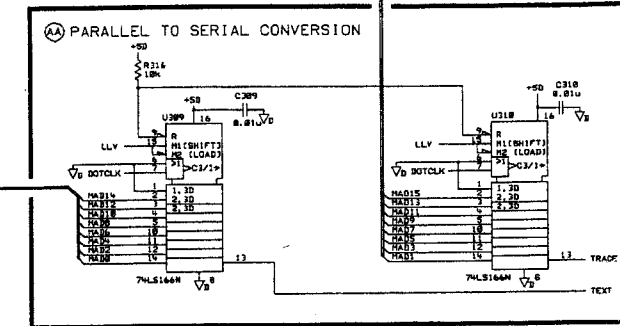
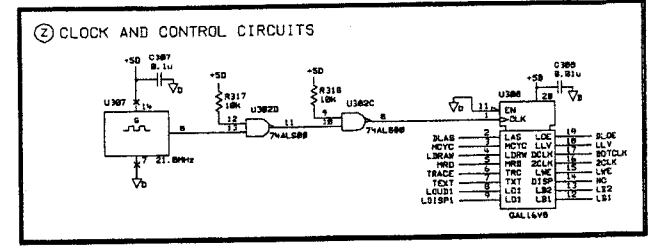
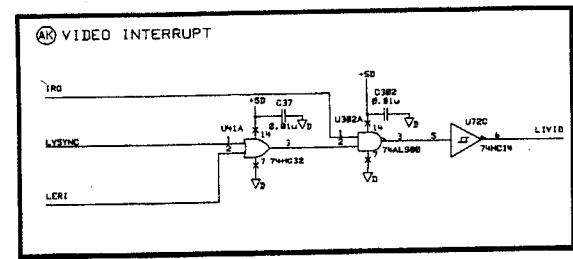
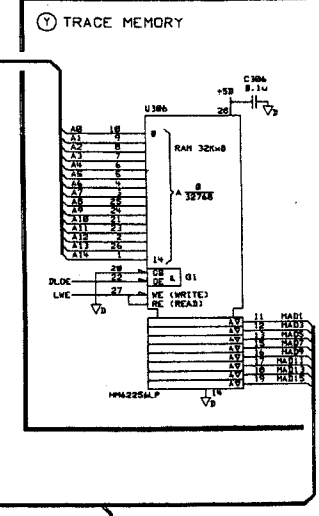
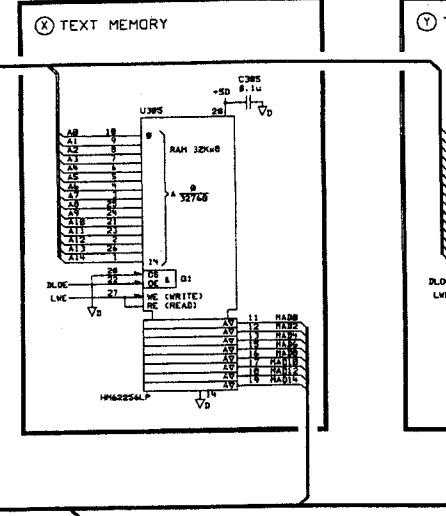
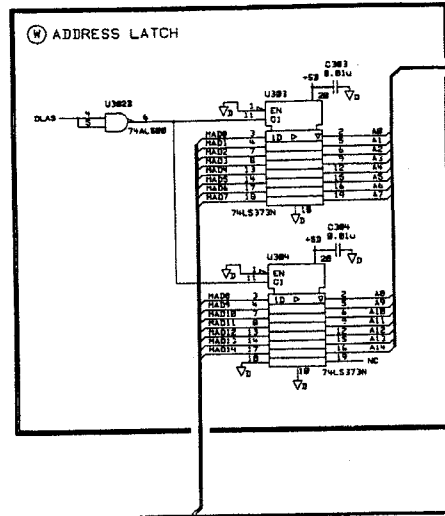
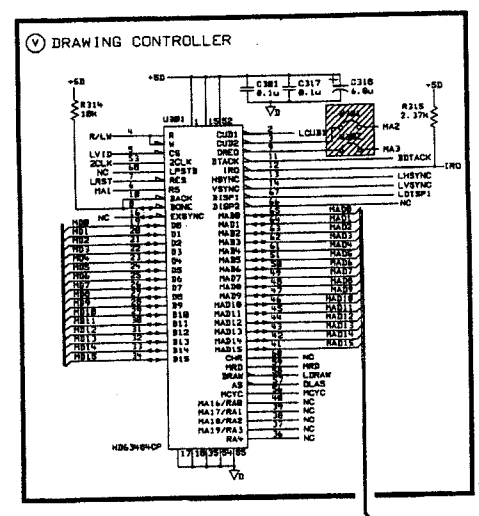
NOTE: HATCHED COMPONENTS ARE NOT LOADED FOR THIS ASSEMBLY.  
 RAM BD = 08590-20365

HP PROPRIETARY  
 THIS DOCUMENT CONTAINS CONFIDENTIAL, PROPRIETARY INFORMATION THAT IS HEWLETT-PACKARD (HP) PROPERTY. DO NOT DISCLOSE TO OR DUPLICATE FOR OTHERS EXCEPT AS AUTHORIZED BY HP.

DRAWN BY	DATE	SCHEMATIC, PWA PROCESSOR	slabb365	HEWLETT PACKARD
ENGINEER/CHECKER	DATE		SCALE NONE	
RELEASE TO PROD.	DATE		SHEET 1 OF 4	
SUPERSEDES DWG.	DATE		TITLE	

D-08590-60365-1





MNEMONIC	1	2	3	4
ZCLK				
AS-14				
SBTACK				
DEAS				
DLCK				
DOTCLK				
HEVNC				
IRG-2				
LDL01				
LEBPA				
LDRAW				
LERI				
LVSTNC				
LVID				
LRST				
LVID				
LVSTNC				
LVE				
HAL				
RA2				
RA2-15				
MCYC				
RB-15				
R/LV				
TEXT				
TRACE				
VEVNC				

NOTE: MATCHED COMPONENTS ARE NOT LOADED FOR THIS ASSEMBLY.  
RAW 30 - 08590-2036

HP PROPRIETARY  
THIS DOCUMENT CONTAINS CONFIDENTIAL, PROPRIETARY INFORMATION THAT IS HEWLETT-PACKARD (HP) PROPERTY. DO NOT DISCLOSE TO OR DUPLICATE FOR OTHERS EXCEPT AS AUTHORIZED BY HP.

DRAWN BY	DATE
ENGINEER/CHECKER	DATE
RELEASE TO PROD.	DATE
SUPERSEDES DNG.	

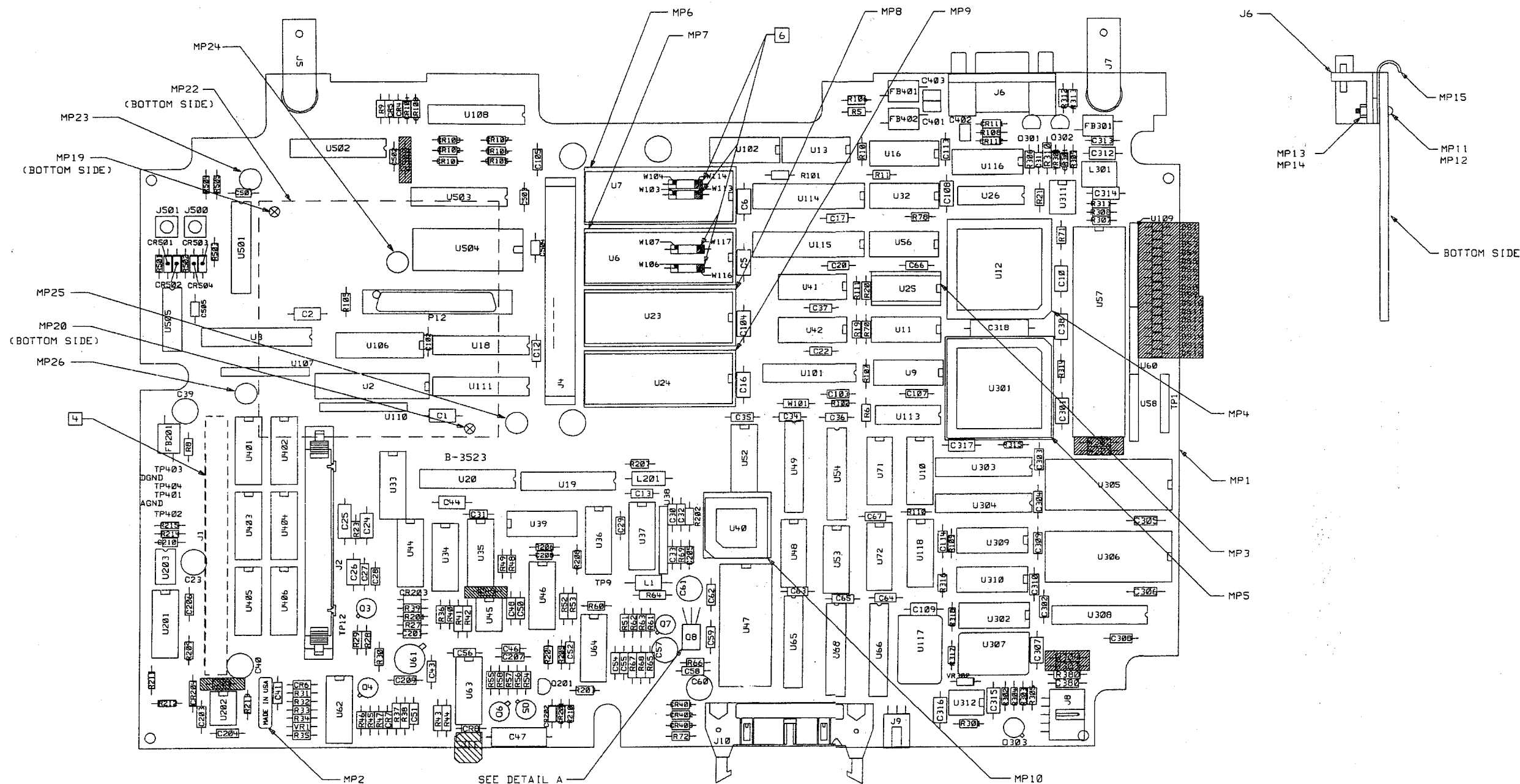
SCHEMATIC, PWA  
PROCESSOR

s3abb365	FILENAME
SCALE	NONE
SHEET 3 OF 4	08590-60
	PART NUMBER
	D-08590-6036

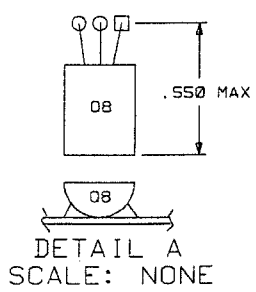




5300		D-08590-60365-2	
SYM	REVISIONS	APPROVED	DATE
E	CHANGED PER PCO 53-10482 LN		



- NOTES: UNLESS OTHERWISE SPECIFIED
1. DIMENSIONS ARE IN INCHES.
  2. MAXIMUM COMPONENT HEIGHT .400
  3. MAXIMUM LEAD TRIM LENGTH .118
  - 4 J1 TO BE LOADED ON BOTTOM SIDE OF BOARD.
  5. USE RAW BOARD PART NUMBER 08590-20365
  - 6 DO NOT LOAD W113, W114, W116 & W117.
  7. DO NOT LOAD COMPONENTS SHOWN CROSS-HATCHED. (C45, C202, W301-304, W500, DS1-DS16, J11).



SEE MATERIAL LIST 08590-60365

HP PROPRIETARY  
THIS DOCUMENT CONTAINS CONFIDENTIAL,  
PROPRIETARY INFORMATION THAT IS  
HEWLETT-PACKARD (HP) PROPERTY.  
DO NOT DISCLOSE TO OR DUPLICATE FOR  
OTHERS EXCEPT AS AUTHORIZED BY HP.

UNLESS OTHERWISE SPECIFIED,  
DIMENSIONS ARE IN INCHES.  
TOLERANCES: XX.XXX ±.010  
                  XX.XX ±.02  
THIRD ANGLE  
PROJECTION  
DO NOT SCALE THIS DRAWING

DRAWN BY	DATE
ENGINEER/CHECKER	DATE
RELEASE TO PROD.	DATE
SUPERSEDES DWG.	

ASSEMBLY, PWB PROCESSOR	FILENAME a1abb365	HEWLETT PACKARD
	SCALE NONE	
	SHEET 1 OF 1	08590-60365 PART NUMBER
		D-08590-60365-2